

**New from water
heating experts
Redring...**

**...the latest compact and
versatile electric flow boiler**



Powerstream Professional
The Electric Central Heating and Hot Water Boiler





Innovative heat exchanger design



Allows for a compact and easy to install unit

Whatever the application, the Redring Powerstream Professional electric flow boiler provides an efficient, versatile and safe way of quickly heating water.

Suitable for both vented and unvented wet central heating and domestic hot water systems wherever there's mains electricity.

There are over two million homes in Britain with no mains gas supply as well as other rural homes, new housing projects and multi-floor dwellings that would benefit from the flexibility of a modern electric boiler.

Used as a direct replacement for Gas, Oil, Propane, Solid Fuel or Electric Storage heating, the Powerstream Professional flow boiler provides a practical way of delivering hot water and heating to any home and can be used with standard 'wet' system radiators, underfloor heating, programmers, pumps, room stats and thermostatic radiator valves.

There are seven models in the range to suit the majority of applications, including sealed and open vented installations. In addition, the flow boiler can provide domestic hot water when used in conjunction with an indirect hot water storage cylinder.

The Redring Powerstream Professional delivers the industry standard where Gas, Oil, Propane or Solid Fuel is not available; or fluing restrictions prevent the use of boilers that use these fuels. The wet central heating system boiler does not require costly servicing and safety checks, has no need of any flue system and as such provides the maximum flexibility in terms of boiler location.

The Powerstream Professional flow boiler is 99.8% efficient and silent in operation. It quickly produces hot water by circulating water over electric heating elements and its thermostatic temperature operation is adjustable from 30°C to 80°C. It is suitable for a wide range of properties including mobile homes, flats, apartments, family houses and light commercial properties.

Powerstream Professional Selection Guide (Based on NHBC guidelines¹)

Property	Max floor area (m ² /ft ²)	Space Heating only ²		Space Heating and Indirect Hot Water ³			
		New Build	Older properties	Tank	Wash	New Build	Older properties
One room bedsit	20/200	RFB2	RFB4	50 litre	Shower	RFB4	RFB6
Two room flat	40/400	RFB4	RFB6	115 litre	1 bath	RFB75	RFB9
One bed house	80/800	RFB6	RFB105	115 litre	1 bath	RFB9	N/A
Two bed house	100/1000	RFB6	RFB12	115 litre	1 bath	RFB105	N/A
Three bed house	130/1400	RFB9	N/A	115 litre	1 bath	RFB12	N/A
Four bed house	150/1600	RFB9	N/A	140 litre	1 bath	RFB12	N/A
Five bed house	190/2000	RFB12	N/A	200 litre	2 baths	N/A	N/A

Note: ¹ In broad terms, stipulates minimum room temperatures and recovery times for typical hot water draw-offs ² Based on average space heating requirement of 45 W/m² (New Build), 90W/m² (Older properties) ³ Includes requirement for a complete tank full recovery time of less than 3 hours

Boiler Sizing: Please consult your installer/heating engineer/designer as to the correct size of Powerstream Professional boiler. Size of the property, the insulation properties of the building itself, the local and seasonal weather conditions and exactly what the boiler will be required to heat eg: heating and/or hot water will need to be considered. To discuss individual delivery and design requirements or for help with making your selection please call: Technical - 08709 000430 or e-mail Design - AEDESIGN@applied-energy.com

The Range

Product Reference	Short Code	Catalogue Number	Temperature Range °C	BTU Output	kW loading @ 230-240V	Cable Size Guide	Recommended Fuse Rating
Powerstream Professional 2kW	RFB2	45670202	30 - 80	6830	1.8 - 2	1.5mm ²	13 Amps
Powerstream Professional 4kW	RFB4	45670204	30 - 80	13660	3.7 - 4	2.5/4mm ²	20 Amps
Powerstream Professional 6kW	RFB6	45670206	30 - 80	20490	5.5 - 6	4mm ²	30 Amps
Powerstream Professional 7.5kW	RFB75	45670207	30 - 80	25613	6.9 - 7.5	4/6mm ²	35-40 Amps
Powerstream Professional 9kW	RFB9	45670209	30 - 80	30735	8.3 - 9	6/10mm ²	40-45 Amps
Powerstream Professional 10.5kW	RFB105	45670210	30 - 80	35860	9.6 - 10.5	6/10mm ²	45 Amps
Powerstream Professional 12kW	RFB12	45670212	30 - 80	40980	11 - 12	10mm ²	50

Key Features

Specifier

- 7 power options (2kW - 12kW) for different applications
- Compact design fits in most spaces (including kitchen cupboards)
- Solid state technology for long life
- Min/max control adjusts the water temperature output from the boiler
- No moving parts, maximum reliability
- Minimal service and maintenance costs
- Suitable for sealed and open vented installations and with radiators or underfloor heating
- Uses standard radiators, programmer, pump, room stat and thermostatic radiator valves
- No flue and no fuel tanks mean flexible installation location and improved safety
- Thermostatic temperature range 30°C to 55°C (underfloor) or 55°C to 80°C (central heating)
- Outer casing white stove-enamelled corrosion-resistant steel
- UK manufactured in a BS EN ISO 9001:2000 registered factory
- CE Marked
- 2 year guarantee

Stockist

- Comprehensive technical and aftersales back-up service (UK only)
- UK manufactured in a BS EN ISO 9001:2000 registered factory
- CE Marked
- Access to the 'off gas' market sector with a recognised brand

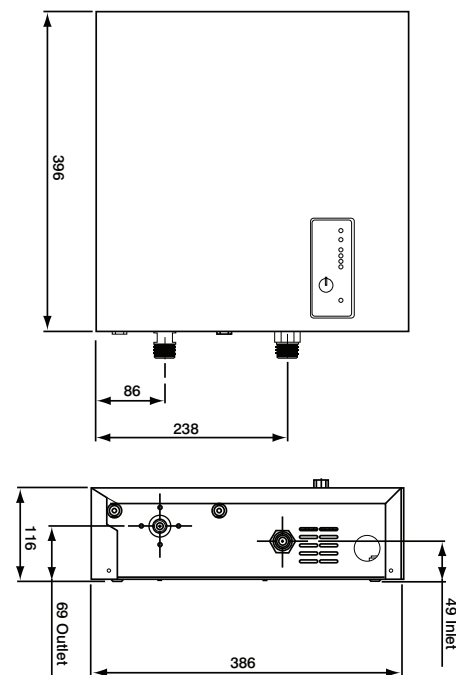
Installer

- Solid state technology for long life
- Suitable for sealed and open vented installations and with radiators or underfloor heating
- Uses standard radiators, programmer, pump, room stat and thermostatic radiator valves
- No flue and no fuel tanks mean flexible installation location and improved safety
- Self check circuitry and fault indication
- Manually re-settable trips
- Unit is set by the Installer for either underfloor mode or central heating mode
- UK manufactured in a BS EN ISO 9001:2000 registered factories
- CE Marked
- 2 year guarantee

Homeowner

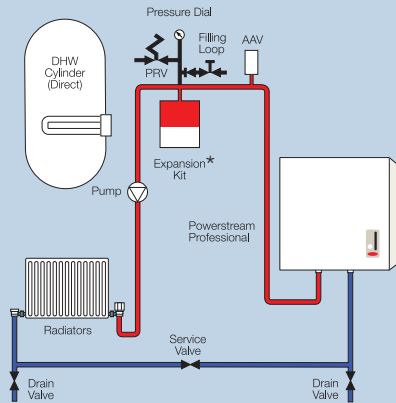
- Silent in operation
- The boiler has front panel indication to show boiler state, including a power indicator with diagnostic facility
- Solid state technology for long life
- Soft start and zero volt switching to avoid power surges
- Min/max control adjusts the water temperature output from the boiler
- No moving parts for long life and maximum reliability
- Minimal service and maintenance costs
- No requirement for annual safety certificate
- Control panel
- Uses standard radiators, programmer, pump, room stat and thermostatic radiator valves
- No flue and no fuel tanks mean flexible installation location and improved safety
- Thermostatic temperature range 30°C to 55°C (underfloor) or 55°C to 80°C (central heating)
- Outer casing white stove-enamelled corrosion-resistant steel
- Re-settable trips
- CE Marked
- 2 year guarantee

Technical Product Dimensions (mm)

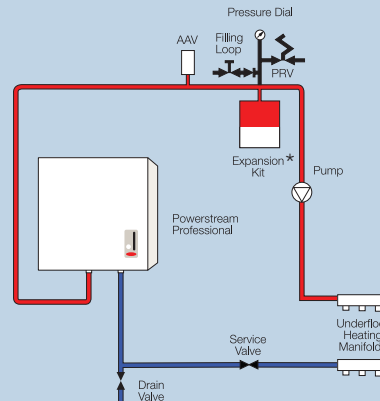


Powerstream Professional Typical Installations

For Heating only, with Direct Domestic hot water cylinder

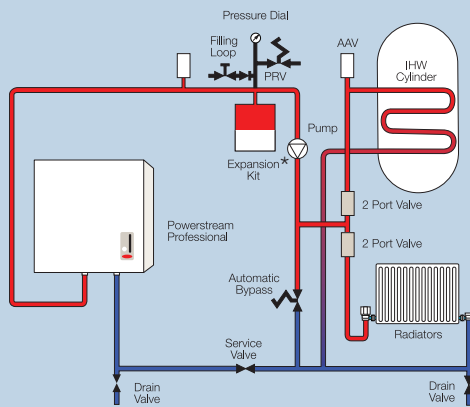


For Underfloor Heating System

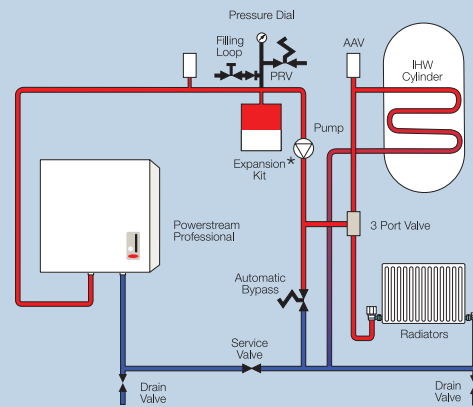


For Heating and Domestic Hot Water with Indirect Hot Water Cylinder

S PLAN SYSTEM



Y PLAN SYSTEM



* Expansion kit not required on a vented system

Hot Water Storage Heaters: Ask for the Redring Aqualoy LWSS 2304 Duplex Stainless Steel water storage heaters that provide effective, fast and safe hot water for baths, showers and other domestic appliances around any property. For use with direct and indirect heating applications the Aqualoy LWSS cylinders are a high quality vessel employing the best in tig welding technology, the LWSS range also features high flow rates and energy efficient insulation.

Note 1: The Redring Powerstream Professional flow boiler is ideal for providing water to a domestic/light commercial wet central heating system. Where it is intended for use to provide hot water as well, it may be that an alternative direct source of heat is required eg: immersion heater. This is to ensure compliance with NHBC guidelines and to provide hot water at all times.

Note 2: The Redring Powerstream Professional flow boiler requires fitment of a circulating pump for underfloor and central heating applications. In the case of unvented applications an expansion kit will be required.



applied energy

Applied Energy Products Ltd
Morley Way
Peterborough
PE2 9JJ

t 01733 456789 f 01733 310606
www.applied-energy.com

RO35 May 08

Redring is a registered trademark of Applied Energy Products Ltd.
Applied Energy Products reserve the right to alter product specification or appearance without prior notice.
All finishes in the brochure are as accurate as printing processes allow.

05/2008 Applied Energy Products. All rights reserved.

UK Sales

Sales Hotline: 08709 000420

Sales Fax: 08709 000520

Technical Services

Techline: 08709 000430

Techfax: 08709 000530

Brochure Hotline

Telephone: 08709 000540

Website

www.redring.co.uk